

EVS38
Göteborg, Sweden, June 15-18, 2025

Abstract Template for the EVS38 Symposium

Author1¹, Author2²

¹*Author1 (corresponding author) affiliation, address, email*

²*State affiliation of other authors if different*

Executive Summary

Insert short executive summary here in 10.5pt Times New Roman. The text of the executive summary is justified with 1½ line spacing. The executive summary should contain between 50 and 150 words. The section shall be enclosed within two horizontal lines 1pt thick.

1 Header

This is the template for the EVS38 conference paper abstracts. The full abstract shall be 3 to 4 pages long (700-1000 words), and include executive summary, abstract, acknowledgments and references. The full abstract will allow a rigorous peer review process and thus enhances the quality of the symposium.

The body of the text is Times New Roman 10.5pt, justified.

Sections are numbered sequentially. Headings are 14pt bold; headings for Nomenclature, Acknowledgements, References and Authors are not numbered.

Subsections Sub-headings should be numbered as above. Subsections are numbered sequentially. Headings are 12pt bold.

1.1 Header/Title section

This denotes how to format the header of your abstract. The title of the conference shall be set in 14pt italic. The Paper title shall be set in 18pt bold. Author names in 12pt; affiliations (one affiliation per line, stating institution, address and email) in 10pt italic.

1.1.1 Sub-subsections

Sub-subheading, if any, are also numbered as above. Sub-subsections are numbered sequentially. Headings are 10.5pt bold (automatically set in L^AT_EX).

2 File requirements

The abstract shall be uploaded as a pdf file only, made up to the specifications of this template. In the case special fonts (e.g. symbols) are used, these shall be embedded in the pdf file. The size of the file should not exceed 1.5MB with a total allowed length of minimum 3 pages and maximum 4 pages (700 to 1,000 words).

3 Page and Column Dimensions

The printed page area is set as follows:

- top and bottom margins 30 mm (1.18 inches)
- left and right margin 25 mm (0.98 inches)

A footer is to be provided, with a horizontal line 1 pt thick at 20 mm from the bottom of the page. Below the line, left align the statement "EVS38 International Battery, Hybrid and Fuel Cell Electric Vehicle Symposium" and right align the page number, all set in 10pt.

4 Referencing

Referencing sources in the abstract and final paper shall be done with sequential numerical references, between square brackets. Examples of citing references are given in the references section, for books [1], journal articles[2] and websites[3]. The reference list is printed in "small".
If a bibliography reference file is used (BibTeX), please make use of the attached evs.bst file.

5 Figures, Tables and Equations

5.1 Figures

Captions for figures are 10pt, centered. Do not include separate lists of table and figure captions. Figures shall be sequentially numbered, lined up with the text, and referenced as Fig.1.

Vector graphics files (.eps, .svg, .ai) are preferred for line drawings; bitmap figures like photos (.jpg) shall have sufficient resolution (300 ppi).

The use of colour figures is welcomed, but the choice of colours should allow a suitable contrast when reproduced on a monochrome printer.

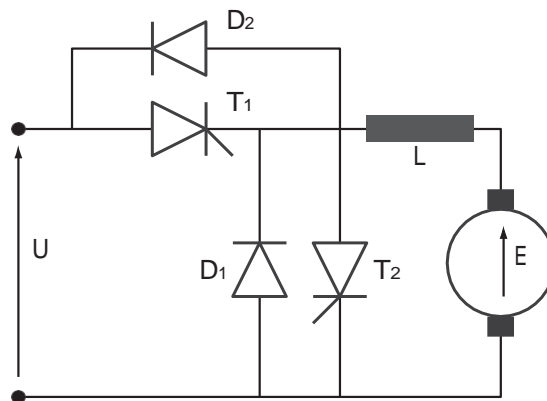


Figure 1: Chopper for d.c. drive

5.2 Tables

Table 1: Power levels for charging (230 V)

	Current (A)	Power (kW)
Standard	16	3,5
Semi-fast	32	7,0

Tables shall have their own sequential numbering independent from the figures numbering, and captions shall be placed above the table.

5.3 Equations

Equations shall be set within the text and numbered sequentially with the number enclosed in round brackets.

$$E = \int_0^t UI \cos \varphi dt \quad (1)$$

Acknowledgments

List acknowledgments here if appropriate.

References

For bibliography, please use the attached bst file or format as follows:

- [1] J.J. Romm. *The hype about Hydrogen*, ISBN 1-55963-704-8, Washington, Island Press, 2005.
- [2] P. Van den Bossche et.al., *SUBAT, an assessment of sustainable battery technology*, Journal of Power sources, ISSN 0378-7753, 162(2006), 913-919.
- [3] *EVS30*, <http://www.evs30.org>, accessed on 2016-11-06.

Presenter Biography



Presenting autor shall provide a short biography. Biographies should have a typical length of 5 to 10 lines, in 10pt, be limited to main educational background and description of current activities, and preferably be accompanied by a photograph sized 20 by 30 mm. The photograph shall be lined up with the bottom of the text paragraph.



CALL FOR ABSTRACTS – INSTRUCTIONS

38th International Electric Vehicle Symposium & Exhibition

We are pleased to invite you to submit your abstract to 38th International Electric Vehicle Symposium & Exhibition. Abstracts must be submitted exclusively via the online platform available.

SUBMISSION TIMELINE :

Opening of the abstract submission platform	June 3rd, 2024
Deadline for abstract submission	November 1st, 2024
Notification of acceptance/rejection	February 26th, 2025
Deadline for presenter registrations	March 26th, 2025
Deadline for submission of full articles	April 28th, 2025

SUBMISSION GUIDELINES :

- **Language:** All submitted material shall be written in English.
- The Technical Committee will give priority to new and unpublished works and ask you to select one of the proposed themes.
- The full abstract shall be 3 to 4 pages long (700-1000 words), and include executive summary, abstract, acknowledgments and references. The full abstract will allow a rigorous peer review process and thus enhances the quality of the symposium.
- The executive summary should be between 50 and 150 words and must be identical to the one provided in the full abstract document.
- You will find the guidelines [hereinafter](#). Please upload your full abstract in PDF format while submitting your abstract. If not uploaded, your abstract won't be reviewed.

Title of presentation: Please choose a brief title that clearly indicates the content of the contribution. Please avoid abbreviations in the title. Abbreviations may be used in the text if they are defined when first used.

Principal author: Name, email, institution, business affiliation (department, school, agency, or company, etc.), city and country. In instances of multiple authorship, the person whose name is listed first is expected to deliver the presentation.

Co-authors: their names, email, institution/business information, country



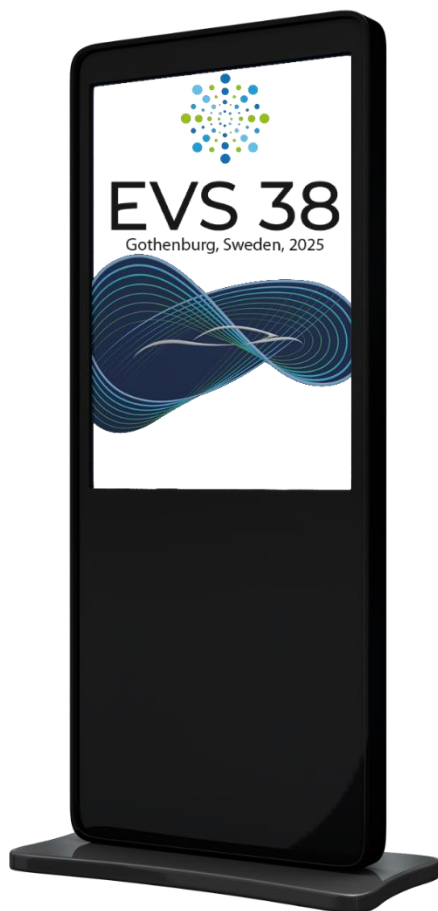
Presentation Format: Accepted authors for both Technical and Dialogue sessions will submit a full paper for publication at equal level in the EVS38 Proceedings.

These papers will be presented in Lecture and Dialogue sessions during the symposium

A Lecture presentation is an oral presentation in an auditorium. A dialogue presentation is a poster based presentation on a large flatscreen. Both lecture and dialogue presentations are topical sessions of the official Symposium program. The presentation time will be scheduled after review process.

Please note that presenters of accepted abstracts are required to register in order to present their abstract.

E-poster Exhibition



Lecture Session





EVS 38

38th International Electric
Vehicle Symposium & Exhibition
15 to 18 June 2025 - Gothenburg, Sweden

Theme & sub-themes
A. Vehicle & Transportation Systems
A-01 Electric Vehicles
A-02 Plug-in Hybrid Vehicles
A-03 Hybrid Electric Vehicles
A-04 Fuel Cell electric Vehicles
A-05 Heavy Duty electric Vehicles & Buses
A-06 Light electric Vehicles & Micro Mobility
A-07 Electric Two- & Three- Wheelers
A-08 Welfare & Senior electric Vehicles
A-09 Off-Road & Industrial electric Vehicles
A-10 Railway Vehicles
A-11 Electric Ships & Airplanes
A-12 Retrofitting EVs
B. Policy & Society
B-01 EU Policy, Regulation & Harmonised Laws
B-02 International Standardisation
B-03 Global Policy & Trade
B-04 Consumer Behaviour & Demand
B-05 Skills, Education, Labour & International Knowledge Transfer
B-06 Business Models for Charging & Payment (incl. Roaming and QR Codes)
B-07 Business Models for Vehicle Sales
B-08 Trends & Forecasting of E-Mobility
B-09 Supply & Value Chain
B-10 Infotainment systems and trends
C. Software Defined Vehicles
C-01 AI - Artificial intelligence for EVs
C-02 Intelligent Transportation System for EVs
C-03 Autonomous xEV
C-04 V2V, V2I (Infrastructure), and V2P (Persons) Communication
C-05 Electric autonomous vehicle safety and security
C-06 Cybersecurity
C-07 Digital twin design tools
C-08 AI & New Technologies
D. Charging Infrastructure and grid integration
D-01 AC & DC Charging technology
D-02 Smart charging
D-03 V2H & V2G
D-04 Smart grid integration and grid management
D-05 Fast and Megawatt charging Infrastructure
D-06 Inductive / Wireless Power Transfer
D-07 Optimal charging locations

Theme & sub-themes
E.Electric Storage Systems
E-01 Batteries
E-02 Battery Management System
E-03 Super Capacitors
E-04 Energy storage systems
E-05 Fuel Cell Systems
F.Propulsion Systems & Components
F-01 Drive & Propulsion Systems
F-02 Electric Motor Drive
F-03 Electric Machine
F-04 Auxiliary Components & Sensors
F-05 Vehicle Motion & Stability Control
F-06 Chassis systems for EVs
G.Power Electronics
G-01 Power Electronics systems
G-02 Power Semiconductor Devices & Highly Integrated Modules
G-03 Wide Band Gap Devices & Related Issues
G-04 Packaging, Cooling, & Heat Transfer
G-05 Magnetics, Capacitors, Bus Bar, & 3D Integrations
G-06 Sensors for Motors & Converters
G-07 Harnesses, Connectors, & Protection/Distribution Devices
G-08 Electromagnetic Compatibility
H.Electric Vehicle management
H-01 Modelling & Simulation
H-02 Measuring Methods & Equipment
H-03 Energy management
H-04 Thermal management
H-05 Advanced control of EVs
H-06 Human-Machine/computer interactions
I.Energy Supply & Sustainability
I-01 Environmental Impact
I-02 Climate change
I-03 Recycle & Re-use
I-04 Life Cycle Analysis
I-05 Sustainable Energy
I-06 Health and Safety Considerations
I-07 Social equity
J.Manufacturing
J-01 Battery manufacturing
J-02 Vehicle manufacturing
J-03 Design for second life
J-04 Mega factories
J-05 Mining
J-06 Materials for EVs